



**PLANMECA**  
Chair



## *The ultimate in dental chair design*



Ergonomic in design, Planmeca Chair offers ultimate comfort for both the patient and the user. The chair construction with slim backrest and plentiful legroom ensures the dental team can maintain ergonomic postures throughout the working day. Simple, yet highly functional Planmeca Chair adapts perfectly to a variety of specialised needs; those of surgeons, orthodontists, and hygienists. With the optional 180-degree swivel, any auxiliary equipment or cabinet is easily reached, thus allowing great flexibility in treatment workflow.

Planmeca Chair ingeniously combines patient comfort and good working ergonomics. The chair slim backrest and intuitive controls provide ergonomic convenience and easy access to the oral cavity, supporting present-day, efficient treatment methods. The ultra-thin backrest and gracious free space under the chair contribute to superior legroom.

The backrest construction incorporates Planmeca's free-floating design, which prevents any damage in case of movement obstructions. Thanks to the compensating

movement with articulation at hip level, the patient does not feel any stretching or squeezing when the backrest is raised or lowered. In addition, the safety switches under the seat ensure complete safety for patient and staff alike.

The optimally designed, stable back support maximises patient comfort. The anatomically contoured upholstery conforms to the patient's anatomy and ensures relaxation even during long treatments.

The chair is operated with a multifunctional foot control that is conveniently located on the chair base. The four automatic, pre-programmable chair positions as well as manual trim adjustments are smartly combined in one foot control, which is easily accessed by both the dentist and the assistant. The four automatic chair positions are programmed hands-free by foot activation, promoting good hygiene practices. As an alternative, the chair can be equipped with a parallel extra remote foot control as well as with a remote control panel.

The smooth surfaces and the seamless upholstery with rounded edges are easy to keep clean. The integrated foot control design leaves the floor free from cables that might collect dirt and leave marks. The chair base is protected with replaceable rubber strips to protect from shoe marks. The solid cast aluminium construction with hygienic epoxy paint finish assures longevity and strength, making the chair a secure investment.

Planmeca Chair can also be controlled through Planmeca Universal dental unit or through an independent instrument cart, such as Planmeca Compact c independent cart. When combined with Planmeca's devices, Planmeca Chair creates a very practical and hygienic treatment setting for specialised dentistry.





The double articulated headrest allows comfortable positioning of the patient's head and provides good visibility in the oral cavity. With Planmeca headrest design, it is remarkably easy to adopt correct and relaxed working postures that promote good ergonomics and easy access.

For more effortless use, a friction adjustment is provided for a headrest mounted to the 469 mm long backrest. It allows smooth, lightweight headrest length adjustment, completely eliminating the need to unlock and lock the headrest position. The friction adjustment is a standard feature of the 469 mm backrest.



The optionally available 180-degree swivel allows the chair to be swivelled 90 degrees left and right. This feature provides unique freedom in operatory design and is especially appreciated where space is limited. It is very valuable also when an intraoral X-ray unit or other auxiliary equipment is needed.

The swivel is released with a foot-operated mechanism, which contributes to better asepsis and ease of use. Located on the chair base, the swivel foot switch is easily accessed by both the doctor and the assistant. The needle bearing swivel contributes to smooth and effortless movement. Releasing the swivel lever locks the unit firmly in place at any angle within the swivel range.



The smooth, seamless, and easy-to-maintain upholstery completes the chair appearance. The armrests, supplied as an option, also have the same stylish upholstery.

The multifunctional child cushion set helps you to position small patients comfortably. The cushion set can also be used to give extra support under a tall person's legs. You can choose the child cushion set in the same or a distinct matching colour as the chair.

Alternatively, the chair can be equipped with the viscoelastic Ultra upholstery, which adapts perfectly to follow the patient's anatomy. The Ultra upholstery is filled with special viscoelastic memory foam that

adapts to the patient's body shape and restores its original shape after the treatment. The Ultra upholstery provides extra comfort, appreciated especially in long treatment sessions.

The Ultra upholstery is also available in a special fabric that simulates the supple and smooth surface of genuine leather. In addition, the upholstery is available in a metallic shade, which gives the chair a modern, luxurious, and shiny look the patients will notice.

To see the complete upholstery colour chart, please go to page 11.

*Pleasant to work with, practical to operate*



#### Armrests

The optional armrests provide firm support for the patient's arms, but do not hinder a comfortable and relaxed position. The right-hand armrest is movable to allow easy patient entrance and exit. The armrests are supplied in your favourite upholstery colour and type – standard or Ultra.

#### Surgical IV armrest

Optionally, the chair can be equipped with a surgical intravenous armrest for immobilising the patient's arm for example during sedation. The IV armrest can be mounted right or left.

#### Surgical headrest

The surgical headrest option provides enhanced sideways support for the patient's head. The option includes a special cushion and a support plate for the headrest mechanism.

#### Automatic fold-down legrest

The optionally available automatic legrest, which can be moved synchronously with the backrest, improves patient entrance and exit and facilitates a closer face-to-face positioning between the dentist and the patient. The automatic legrest can be used when the chair is swivelled 90 degrees to the right or left. In other cases the legrest needs to be locked in the uppermost position.

#### Emergency positions

The backrest of any Planmeca Chair can be lowered 5 degrees below the horizontal to achieve the Trendelenburg position. This position is used in emergency situations, especially in the event of a patient collapsing. The aim is to increase blood irrigation to the brain, which is necessary in such cases.

In dentistry, there is also another emergency position used in the event of a patient collapsing. It is obtained with the optional toes-to-nose legrest. This position, which further facilitates blood return, involves lowering the backrest below horizontal and raising the patient's legs 5 degrees above the horizontal.

#### CPR board

The CPR board is designed for emergency situations to help perform cardiopulmonary resuscitation (CPR). Since the patient chair upholstery is intended to provide maximum patient comfort, it may be too soft for efficient chest compressions. When needed, the CPR board can be placed quickly on the chair backrest under the patient's back to ensure the efficiency of CPR compressions. The CPR board is a highly valuable piece of safety equipment for any dental practice. The board is available in all Planmeca upholstery colours.



#### Over-the-patient tray

The chair can be equipped with a support column and a large OP tray that serves as an extra surface for carrying instruments and other accessories. The tray can carry heavy loads and is especially useful for orthodontics and surgery. The OP arm moves smoothly and allows for solid height adjustment. With scratch-resistant finish, the tray and arm promote good hygiene practices.

#### Remote control panel

An optional touch pad control panel operates in tandem with the chair controls. The panel can flexibly be placed in the working area for a convenient access.

#### Remote foot control

The optionally available satellite remote foot control provides the same chair controls as the chair base integrated foot control.



#### Planmeca LED operating light

Planmeca LED provides optimised illumination with four large, powerful LEDs. They allow viewing all areas of the oral cavity with extreme accuracy. LEDs ensure constant power and colour temperature and are, with an extremely long life span, virtually maintenance-free. You can switch the operating light on or off as well as vary the illumination intensity by simply waving the hand.

The operating light arm is remarkably long, ensuring that even the entire mandibular area is perfectly illuminated. With handles on both sides, the slimline operating light is easy to reach and position. Both handles can be removed and autoclaved.



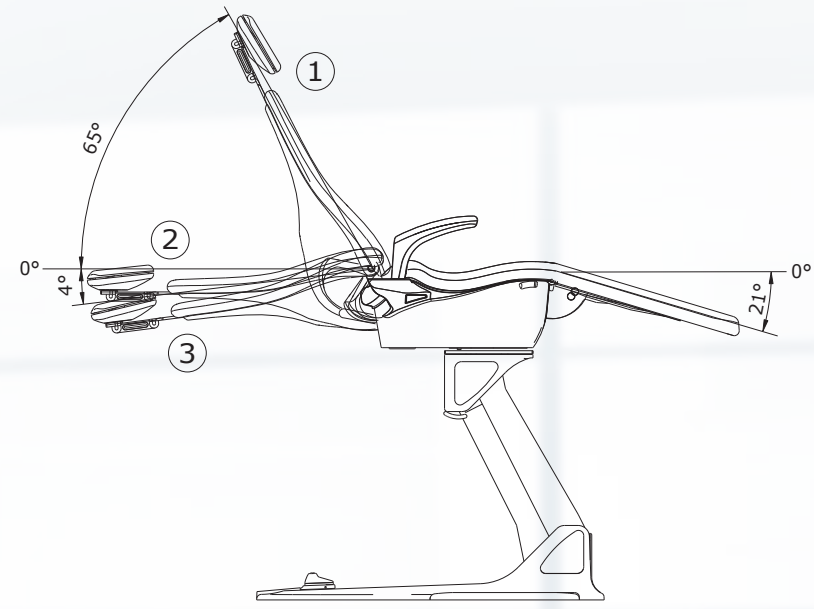
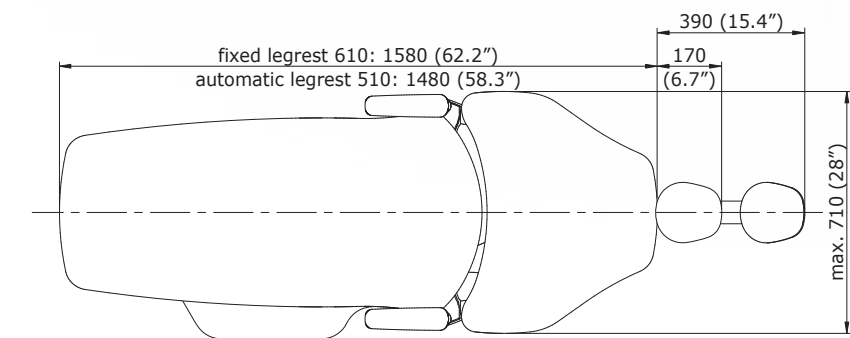
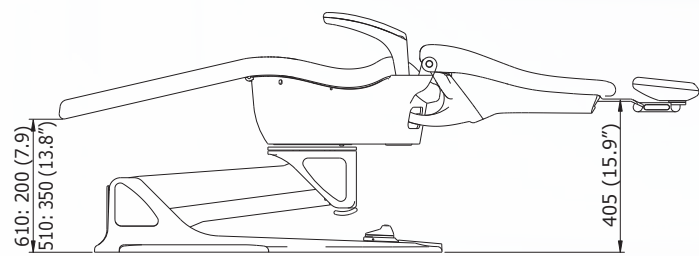
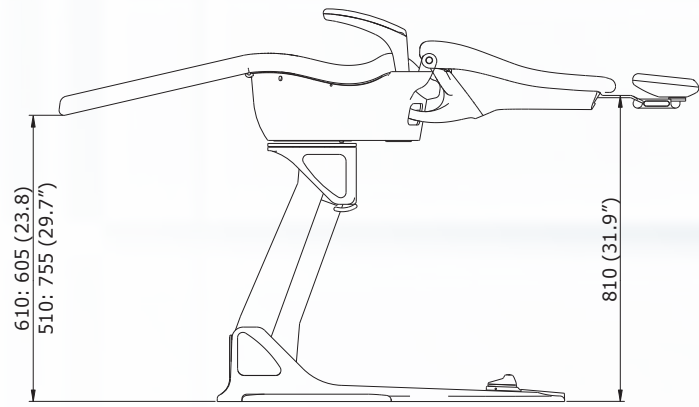
#### Planmeca Delight operating light

Planmeca Delight operating light is a small, powerful lamp specially designed for modern dentistry. It produces cool, natural, and shadowless light that is easy to work with and minimises eye strain during long working periods.

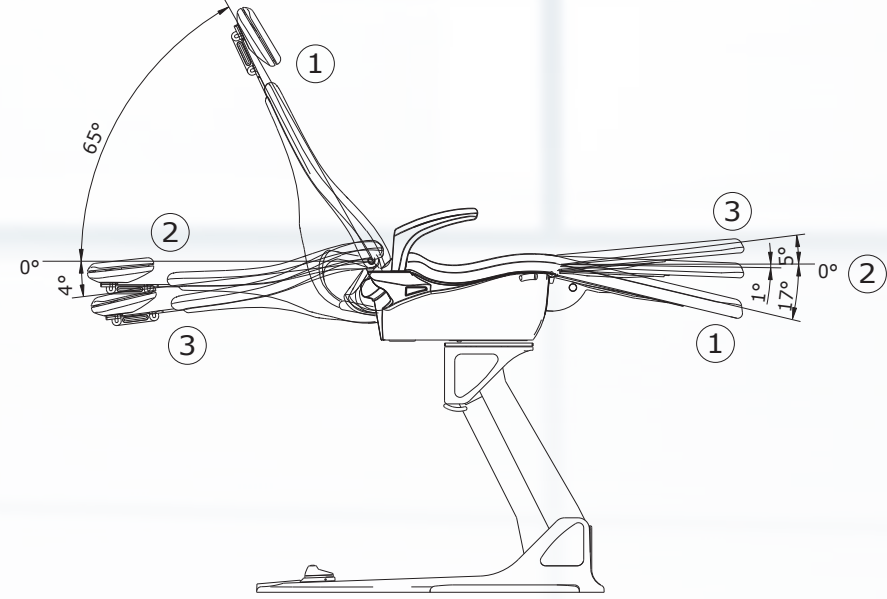
The colour temperature of the light is the optimum 5,000 K at 20,000 lux intensity. The specially designed faceted reflector illuminates the whole operating area uniformly and brightly, and passes most of the infrared radiation away from the treatment zone.

The arm of the light is well balanced, easy to move and position, and has an exceptionally long reach. Planmeca Delight is available in the following four mounting possibilities: unit-mounted, ceiling-mounted, wall-mounted, and chair-mounted.

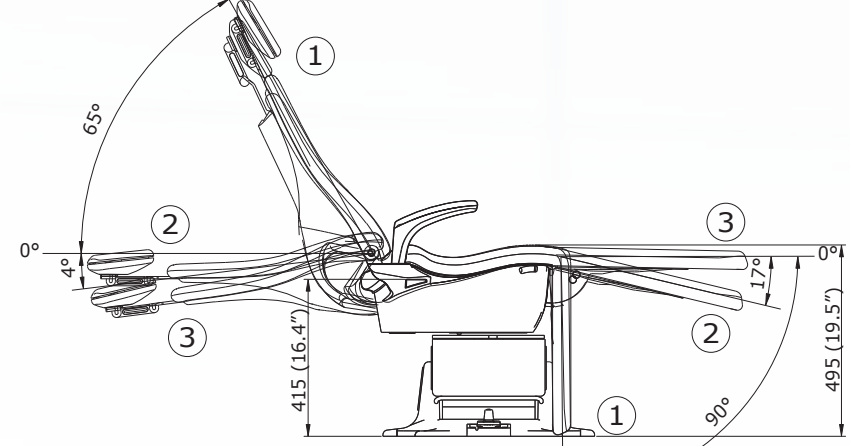
Approvals	CE marked, UL/ULC certified
Frame	cast aluminium alloy
Paint	baked epoxy paint (RAL 9016)
Upholstery	seamless, optional viscoelastic Ultra upholstery
Weight	120 kg / 290 lbs
Backrest thickness	20 mm / 0.80 in.
Swivel	±90°, total 180°
Mounting	To be fixed to the floor
Unit adaptation	Unit mount adapters are available for any traditional chair-mounted unit design
Electrical data	One main printed circuit board, integrated microprocessor control



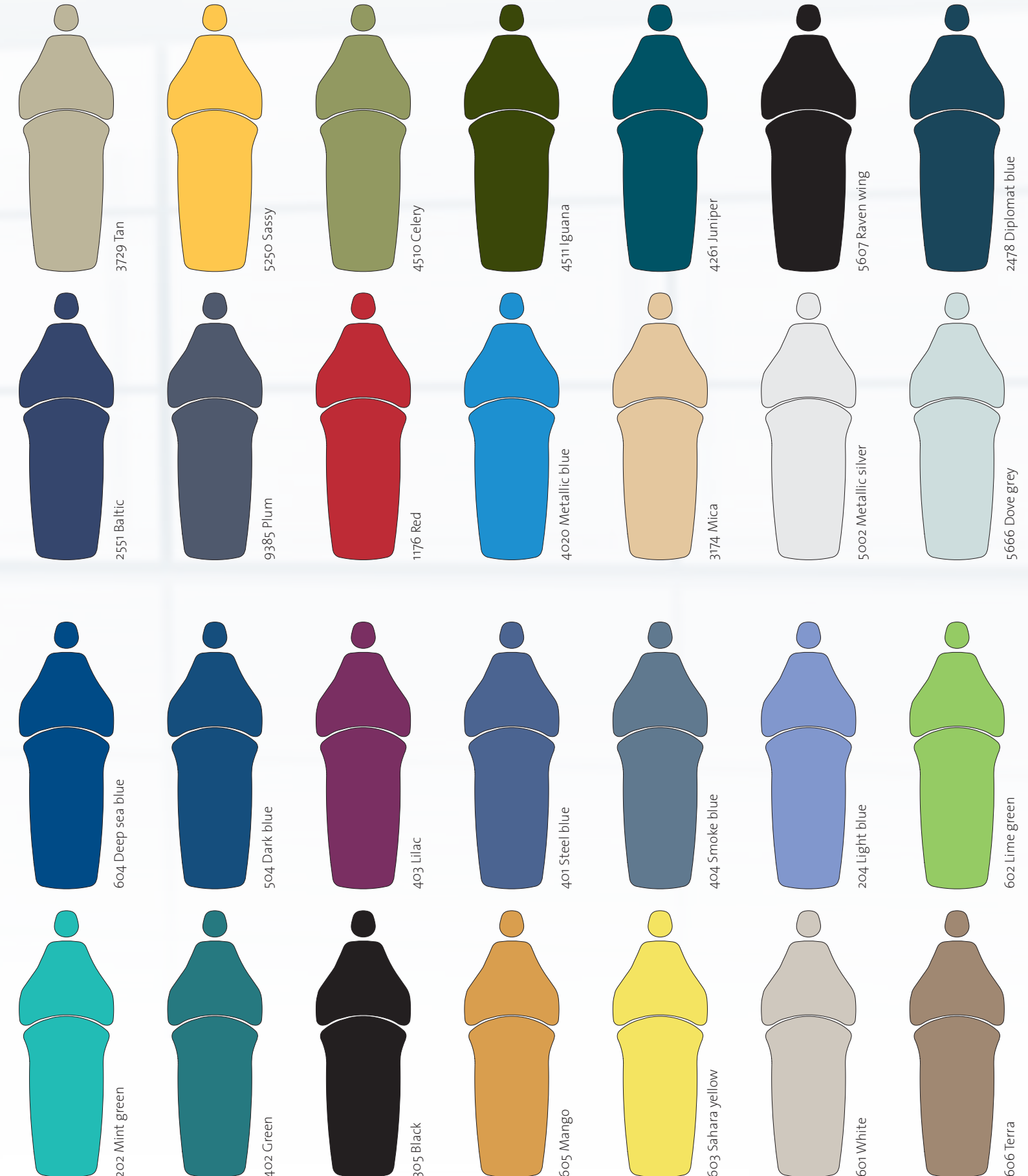
The fixed legrest has optimum knee angulation.



The emergency position reached with the toes to nose legrest is useful in situations when it is necessary to increase blood irrigation to the brain.



The optional automatic legrest can be used when the is swivelled 90° to the right or left.



ULTRA UPHOLSTERY

STANDARD UPHOLSTERY



*Planmeca Oy designs and manufactures a full line of high technology dental equipment, including dental care units, panoramic and intraoral X-ray units, and digital imaging products. Planmeca Oy, the parent company of the Finnish Planmeca Group, is strongly committed to R&D, and is the largest privately held company in the field.*



Planmeca Oy  
 Asentajankatu 6 | 00880 Helsinki | Finland  
 tel. +358 20 7795 500 | fax +358 20 7795 555  
 sales@planmeca.com | www.planmeca.com

Images may contain optional items not included in standard delivery. Available configurations and features may have country or area specific variations. Some products displayed above may not be available in all countries or areas. Rights for changes reserved.